

SAFETY GLAZING/ TEMPERED GLASS

Code information for one- or two-family dwellings or townhomes.

Identification

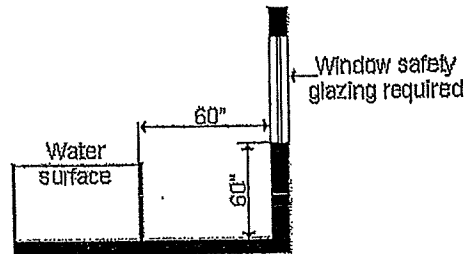
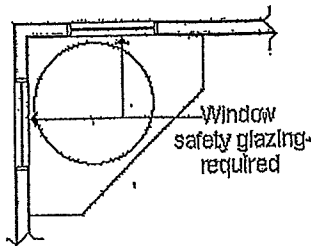
(R308.1)

- Each pane of glazing installed in hazardous locations shall be provided with a manufacturer's designation specifying who applied the designation, designating the type of glass and the safety glazing standard with which it complies. The designation shall be acid etched, sandblasted, ceramic-fired, laser etched, embossed, or be a type which once applied cannot be removed without being destroyed.
 - Exceptions:
 - Tempered spandrel glass is permitted to be identified by the manufacturer with a removable paper designation.
 - Multi-pane assemblies having individual panes not exceeding 1 sq. ft. in exposed area shall have at least one pane in the assembly identified as noted above, all other panes in the assembly shall be labeled " 16 CFR 1201" .

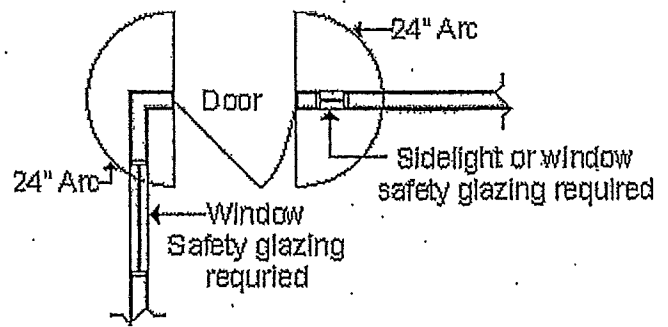
Hazardous Locations

(R308.4)

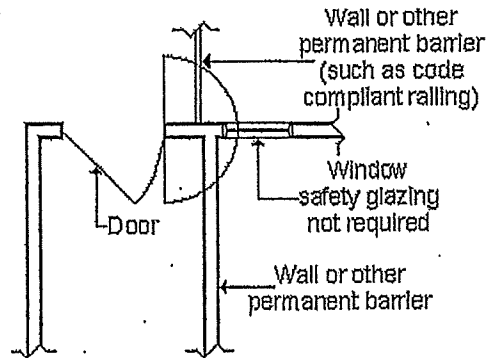
- Glazing in all fixed and operable panels of swinging, sliding and bi-fold doors.
 - Exceptions:
 - Openings in which a 3" sphere is unable to pass.
 - Decorative glazing. (*Decorative glass is defined as a carved, leaded or Dalle glass or glazing material whose purpose is decorative or artistic, not functional; whose coloring, texture or other design qualities or components cannot be removed without destroying the glazing material; and whose surface, or assembly into which it is incorporated is divided into segments*).
- Glazing in guards and railings, including structural baluster panels and nonstructural in-fill panels, regardless of area or height above a walking surface.
- Glazing in walls, enclosures or fences containing or facing hot tubs, spas, whirlpools, saunas, steam rooms, bathtubs, showers and indoor or outdoor swimming pools where the bottom exposed edge of the glazing is less than 60 inches measured vertically above any standing or walking surface. This shall apply to single glazing and all panes in multiple glazing.
 - Exception:
 - Glazing that is more than 60 inches, measured horizontally and in a straight line, from the water's edge of a bathtub, hot tub, spa, whirlpool, or swimming pool.



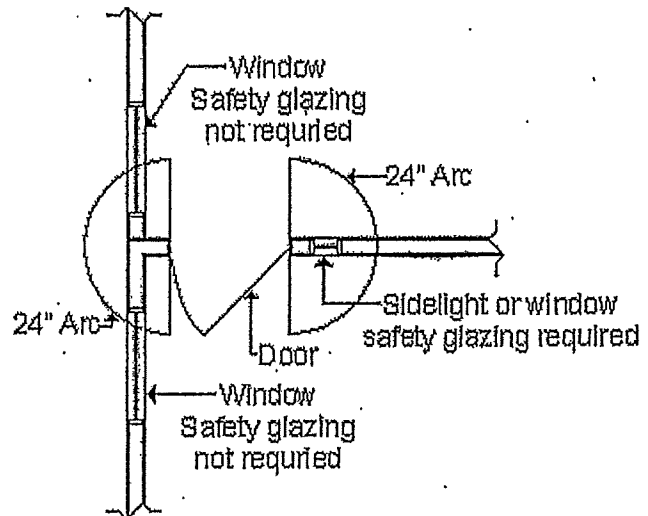
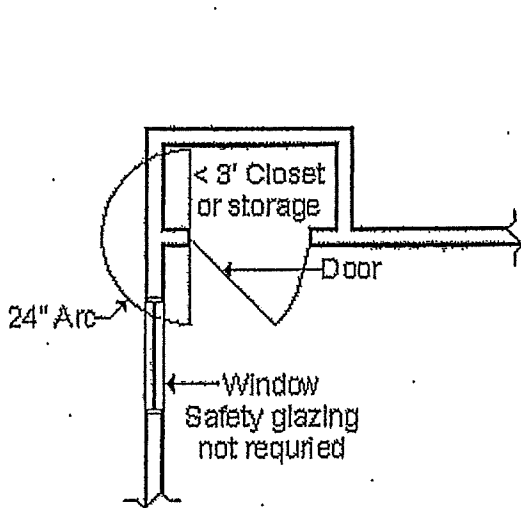
- Glazing in an individual fixed or operable panel adjacent to a door where the nearest vertical edge is within a 24" arc of the door in a closed position and whose bottom edge is less than 60" above the floor or walking surface.



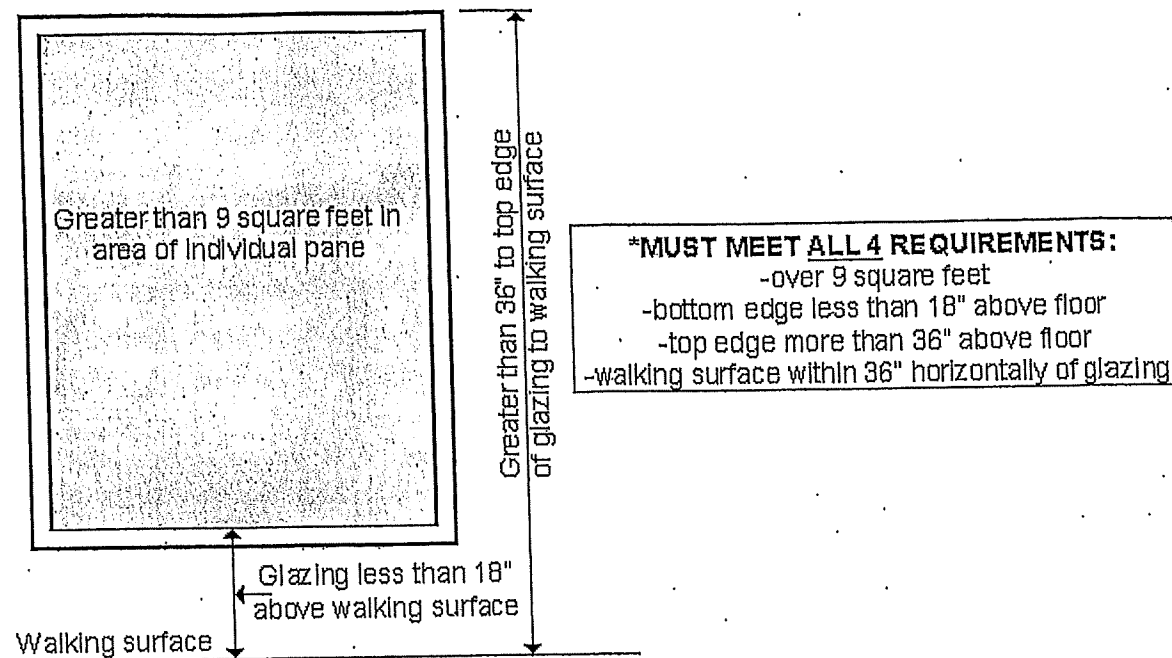
- Exceptions:
 - Decorative glazing.
 - When there is an intervening wall or other permanent barrier between the door and glazing.



- Glazing in walls on the latch side of and perpendicular to the plane of the door in a closed position, or where access through the door is to a closet or storage area 3' or less in depth.

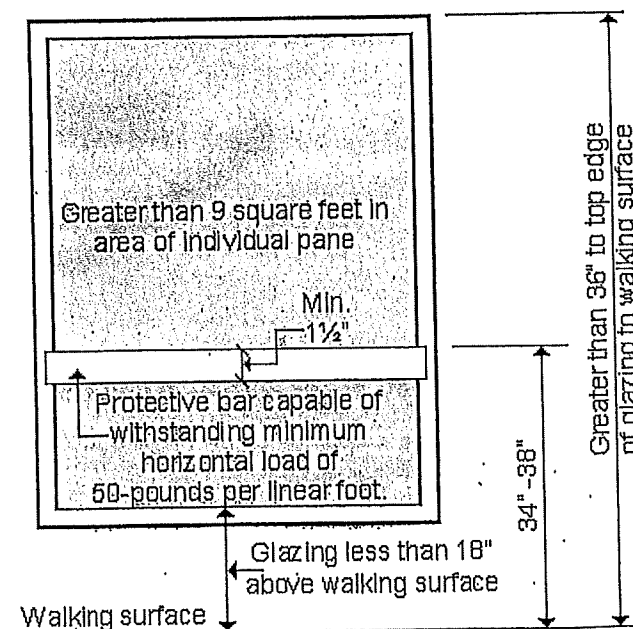


- Glazing in an individual fixed or operable panel where the exposed area of an individual pane is larger than 9 sq. ft.; the bottom edge is less than 18" above the floor; the top edge is more than 36" above the floor; and one or more walking surfaces within 36" horizontally of the glazing*.

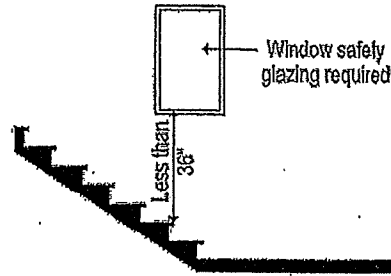


o Exceptions:

- Where a protective bar is installed on the accessible side(s) of the glazing 34"-38" above the walking surface. The bar shall be capable of withstanding a horizontal load of 50 pounds per linear foot without contacting the glass and be a minimum of 1½" in height.
- Decorative glazing.
- Outboard panels in insulation glass units and other multiple glazed panels when the bottom edge of the glass is 25' or more above grade, a roof, walking surfaces, or other horizontal surface adjacent to the glass exterior.



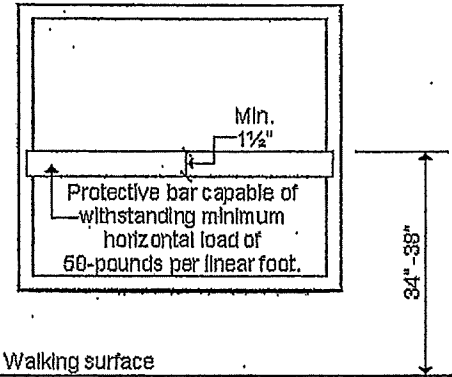
- Glazing where the bottom edge of the glazing is less than 36" above the plane of the adjacent



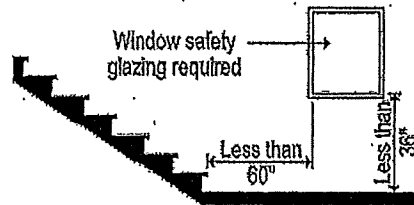
walking surface of stairways, landings between flights of stairs and ramps.

- Exceptions:

- Where a rail is installed on the accessible side(s) of the glazing 34"-38" above the walking surface. The rail shall be capable of withstanding a horizontal load of 50 pounds per linear foot without contacting the glass and be a minimum of 1½" in height.
- Glazing 36" or more measured horizontally from the walking surface.

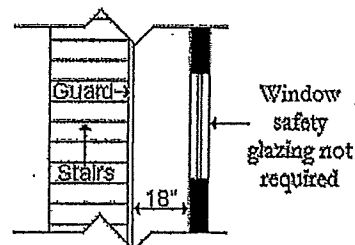
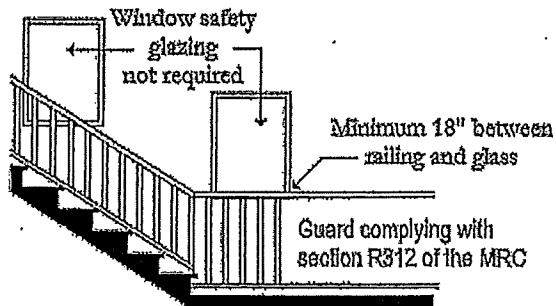


- Glazing adjacent to the landing at the bottom of a stairway where the glazing is less than 36" above the landing and within 60" horizontally of the bottom tread.



- Exception:

- The glazing is protected by a guard complying with section R312 of the 2015 Minnesota Residential Code and the plane of the glass is more than 18" from the guard.



The information in this handout is just an overview. See the 2015 Minnesota Residential Code for complete information.

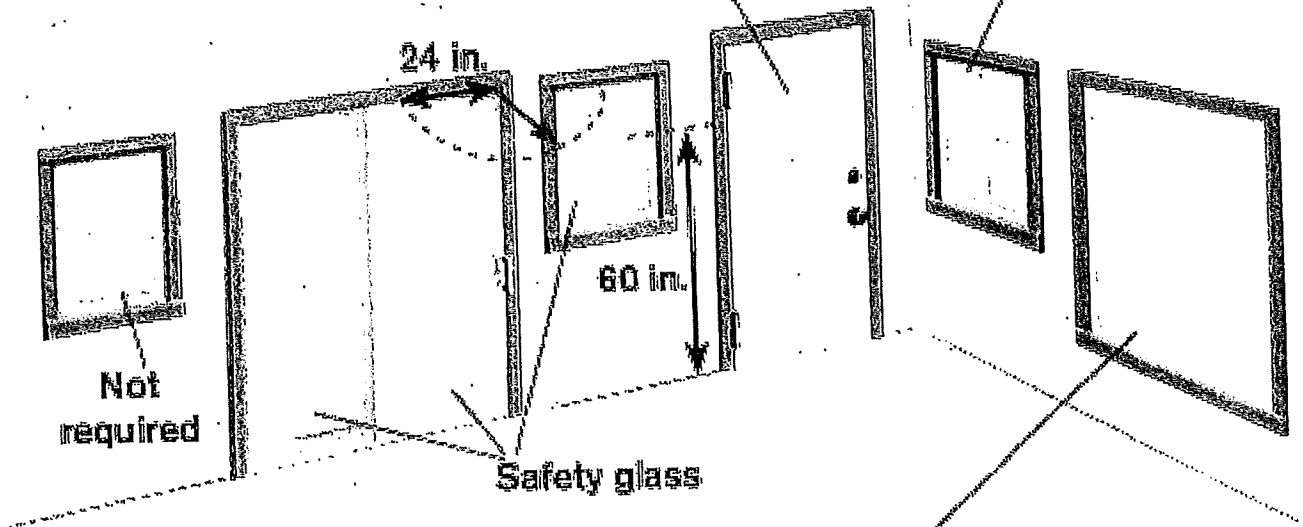
Safety Glazing

308.4.2

Basic zone for sidelites:
 within 24 in. radius of door
 edge in closed position &
 <60 in. above walking surface

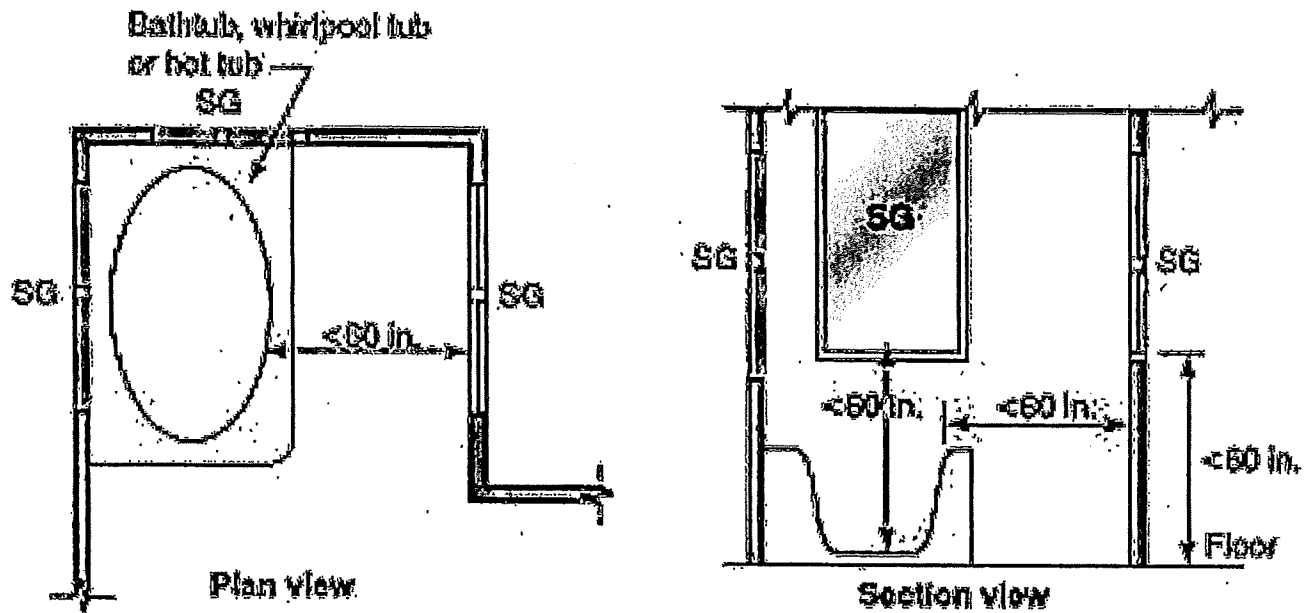
Exempt if a
 3 in. sphere
 cannot pass

Sidelite
 exempt when
 perpendicular to door
 & on latch side



Safety glass when walk-through hazard exists: all four of (1) >9 sq. ft., (2) lower edge <18 in. above walking surface, (3) upper edge >36 in. above walking surface & (4) within 36 in. horizontal of walking surface.

Safety Glazing 308.4.5



Required at:

- Bathtub
- Hot tub
- Whirlpool
- Swimming pool
- Shower
- Sauna
- Steam room